

# QUICKJACK™



**The ultimate portable vehicle jack system.**

**Brand: QuickJack™ by Ranger Products™**

**Model: BL-3500SLX**

**Description: QuickJack™ Car Jack Support System**

The amazing QuickJack portable lifting system makes vehicle maintenance on the track and off convenient and lightning fast. The BL-3500SLX can go anywhere and can be easily stowed in the trunk or back seat of most cars when not in use. Bring it to the track or drop it on your garage floor to perform routine maintenance in the comfort of your home, all in seconds. Simply position the lightweight jack frames under the vehicle, push the raise button on the remote hand-held pendant control and in less than a minute the entire car is almost two-feet off the ground, ready for tire changes, chassis tuning or other maintenance.

Our new and improved BL-3500SLX features a welded-steel reinforced upper box frame with cantilevered rubber block trays for increased rubber block reach. Not only do the extended trays allow for better functionality, they also allow the contact blocks on the trailing side of the lifting frames to be positioned closer to the wheels during set-up. The enhanced BL-3500SLX features dual-position automatic safety locks that engage automatically as the lift rises. A quick flip of the lock bar disengages the safeties for a smooth hands-free descent.

**Complete package includes:** (2) ea. jack frame assemblies, (2) ea. 150" hydraulic hoses, (2) ea. 14" aux. hoses, (2) ea. quick-mount handles, (4) ea. 1.5" x 3" x 4" rubber lifting blocks, (4) ea. 3" x 3" x 4" rubber lifting blocks, (1) mini hydraulic power unit with pendant control.

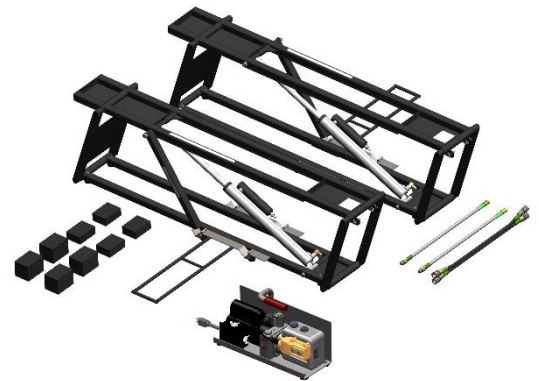
## **A long list of design features...**

- 3,500-pound capacity
- From stow to go in less than 60-seconds
- Dual-position automatic safety lock bars engage automatically as the lift rises
- Dual locking positions – mid level and full rise
- Extended, cantilevered rubber block trays provide increased rubber block reach
- Portable power unit features a remote push-button control for simple operation
- Steel mounted UHMW wheels provide effortless rolling of jack frames on floor
- Remote pendant control features a 13-foot cord
- Power unit features a built-in hydraulic flow divider for precise equalized lifting
- Open-center design for clear undercar access
- Quick-connect/disconnect hoses for fast and convenient set-up
- Convenient handles allow for easy positioning of the jack frames
- Strong 14-gauge welded steel frames
- It's a jack you can use when you need it then conveniently store out of the way
- Provides quick wheels-free convenience for brake and tire service and clear undercarriage access of all types of vehicles
- Low-profile jack frames fit under most race cars
- Powerful hydraulic cylinders eliminate the need for screw mechanisms
- Integrated power-assist canisters increase the lowering speed
- Hydraulic cylinders feature integrated velocity-fuse safety valves
- A convenient metal carrier with handle keeps the power unit protected and easily mobile
- Includes an eight piece set of adjustable and stackable rubber lift blocks to support cars at precise locations for increased stability and safety
- Detailed installation, maintenance and safety instructions accompany each QuickJack system
- Durable powder coat finish

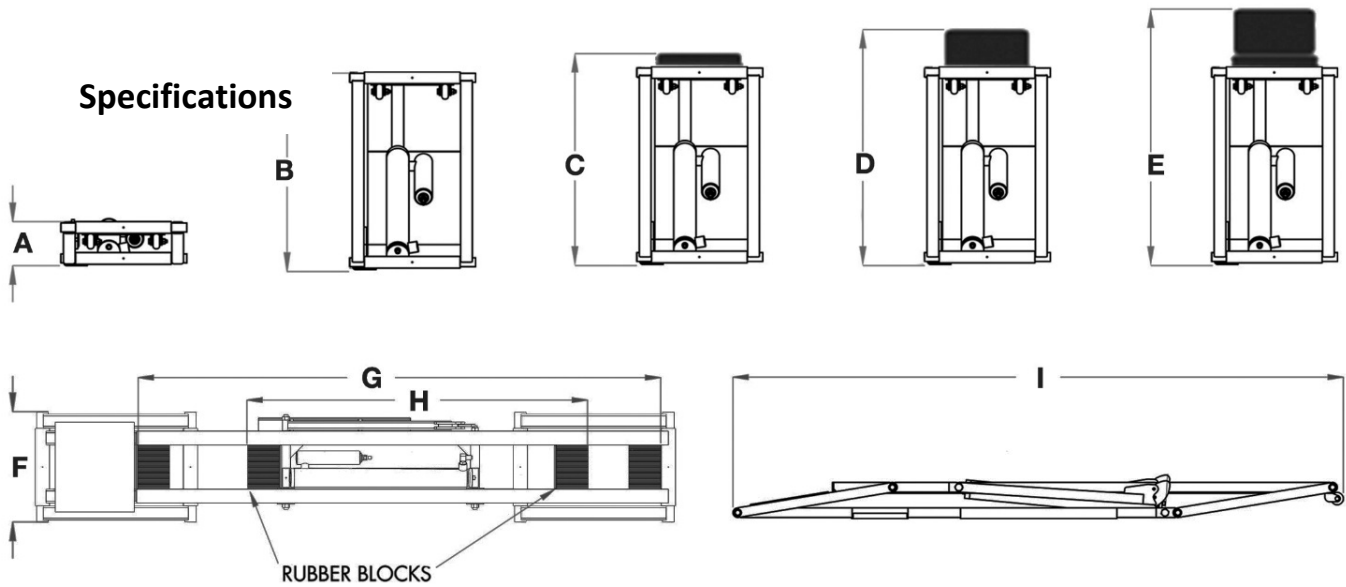
CE



Complete Standard Package



## Specifications



MODEL	BL-3500SLX
Lifting capacity per pair	3,500 lbs. / 1588 kg.
(A) Minimum collapsed height	3" / 76 mm.
(B) Platform lifting height (Frame only)	16.5" / 419 mm.
(C) Platform lifting height (with small rubber block)	17" / 432 mm.
(D) Platform lifting height (with tall rubber block)	18.5" / 470 mm.
(E) Platform lifting height (with stacked rubber blocks)	20" / 508 mm.
(F) Frame width	10.55" / 268 mm.
(G) Rubber lift block position - max. spread	50.5" / 1283 mm.
(H) Rubber lift block position - min. spread	26.7" / 678 mm.
(I) Overall frame length	62" / 1575 mm.
Individual jack frame - net weight (ea.)	60 lbs. / 27 kg.
Power unit/carrier complete - net weight	35 lbs. / 16 kg.
Gross weight	180
Noise emission	<45dBA
POWER UNIT OPTIONS	
12-Volt DC	
110-Volt AC 60hz (Not available for sale in Europe)	
208-230v 50/60hz (Not available for sale in Europe)	
208-240v 50hz (Not available for sale in Europe)	